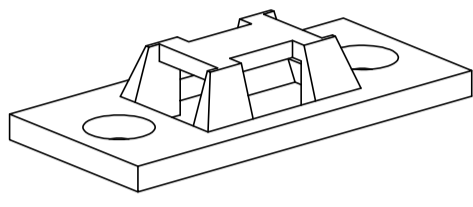
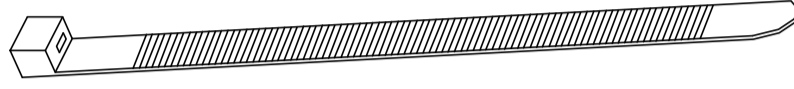
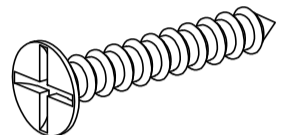
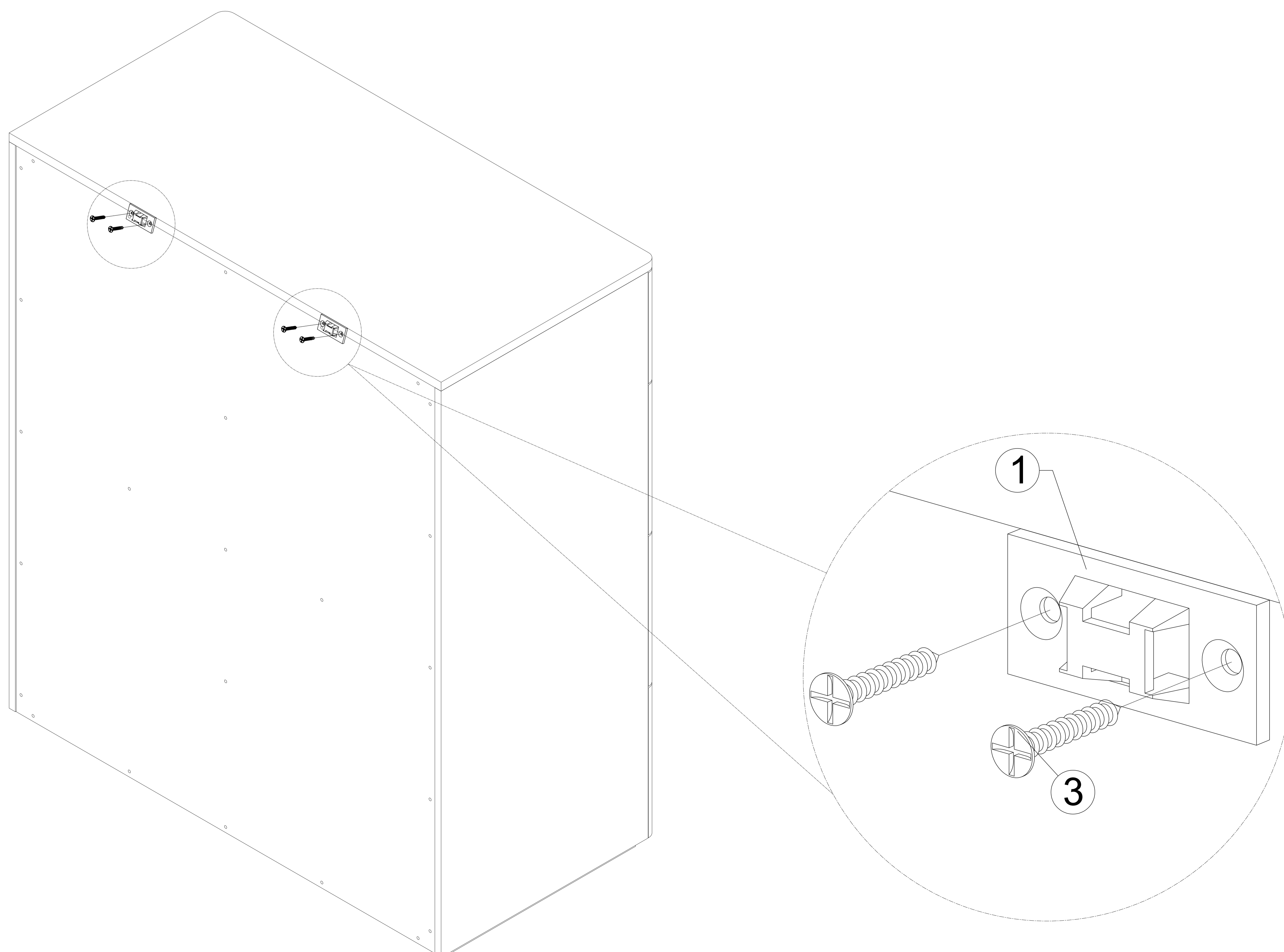


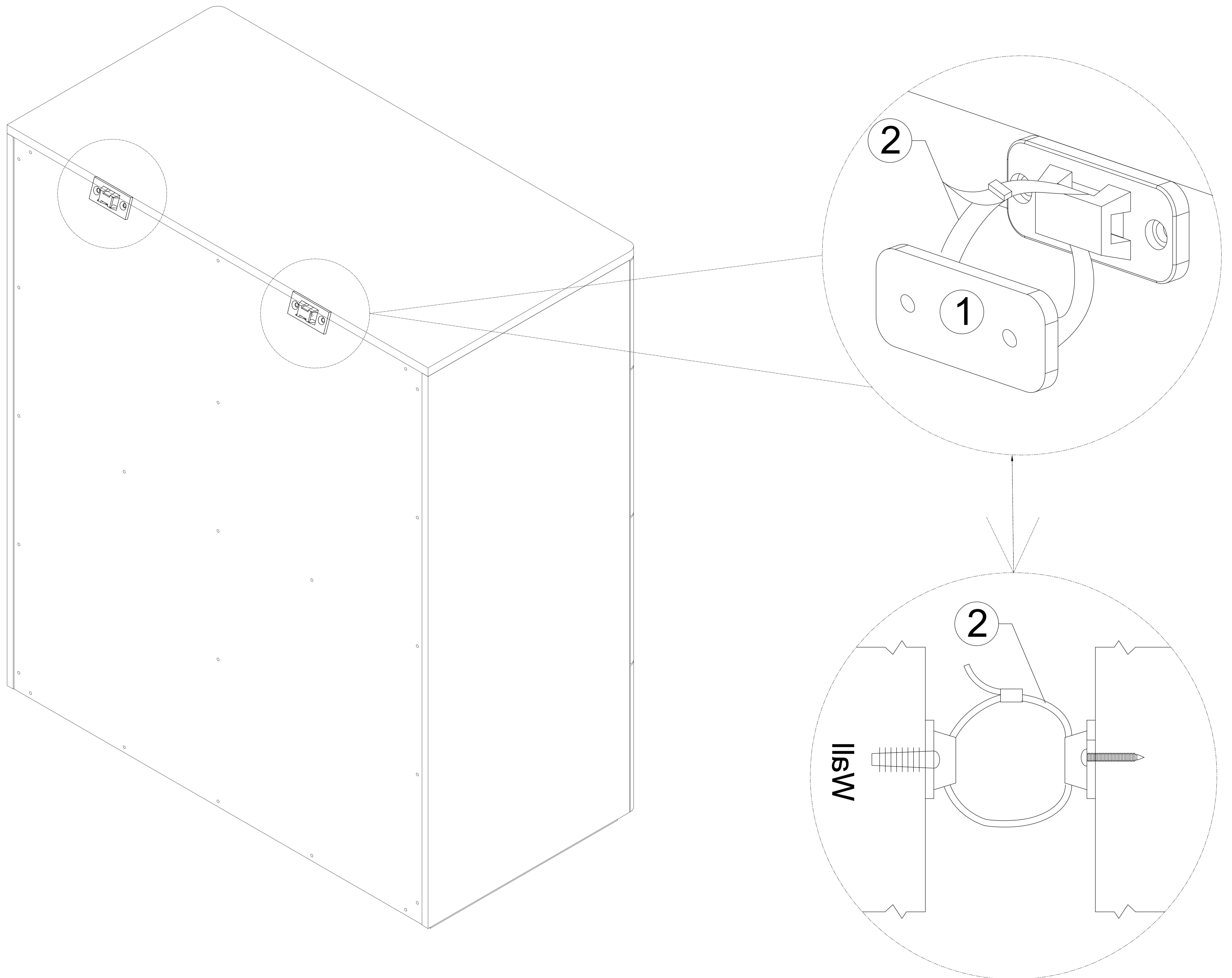


No	Name of Hardware	Q.ty
①	Plastic bracket 	4
②	Tie 	2
③	Screw Ø4x20 	4

1



2





WARNING



Children have died from furniture tipover.

ALWAYS secure this furniture with an anchor device.

Check anchors regularly

Never allow children to stand, climb or hang on drawers, doors, or shelves.

Use drawer locks to prevent children climbing.

Never open more than one drawer at a time.

Place heavy items down low.

Never place a television on this furniture.

C1 Clothing Storage & Bookcase

Safety Instructions

- This product is not intended for use by persons (including children) with reduced physical, sensory or mental capabilities, or lack of experience and knowledge, unless they have been given supervision or instruction concerning use of the product by a person responsible for their safety.
- Improper use or installation may result in the risk of fire, electric shock and/or injury. We assume no liability for any eventual damages caused by improper use or inappropriate handling, or by any other non-compliance with the instructions in this manual.
- Children should be supervised to ensure that they do not play with the product.
- This product contains moving parts. Keep fingers, hair and body parts well clear from moving parts. To reduce the risk of injury, keep children and pets clear of the product when in use.
- This product is very heavy. Only move this product by lifting the main body. Never drag.
- With time and use, bolts and screws used in the assembly process can loosen. Periodically, re-check and tighten if necessary.
- This product has been designed and intended for indoor residential use only. It is not suitable for commercial or outdoor use.
- This product is not intended to be used as part of a health care plan. Consult your medical professional before operating if you are taking medication or have physical limitations.